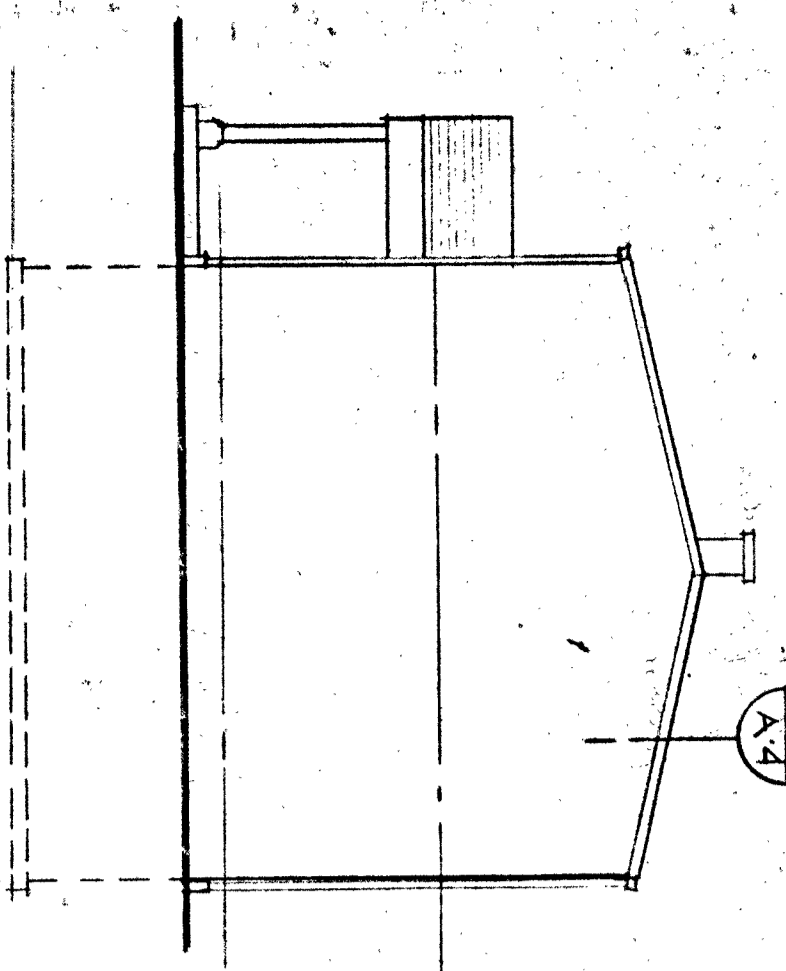
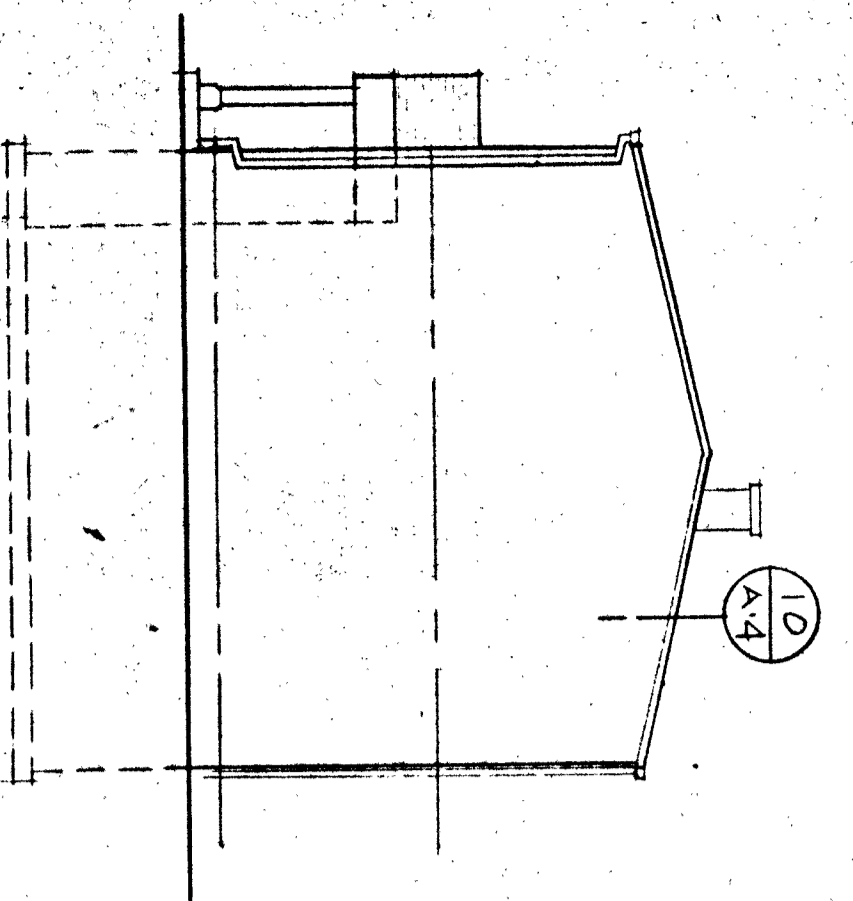


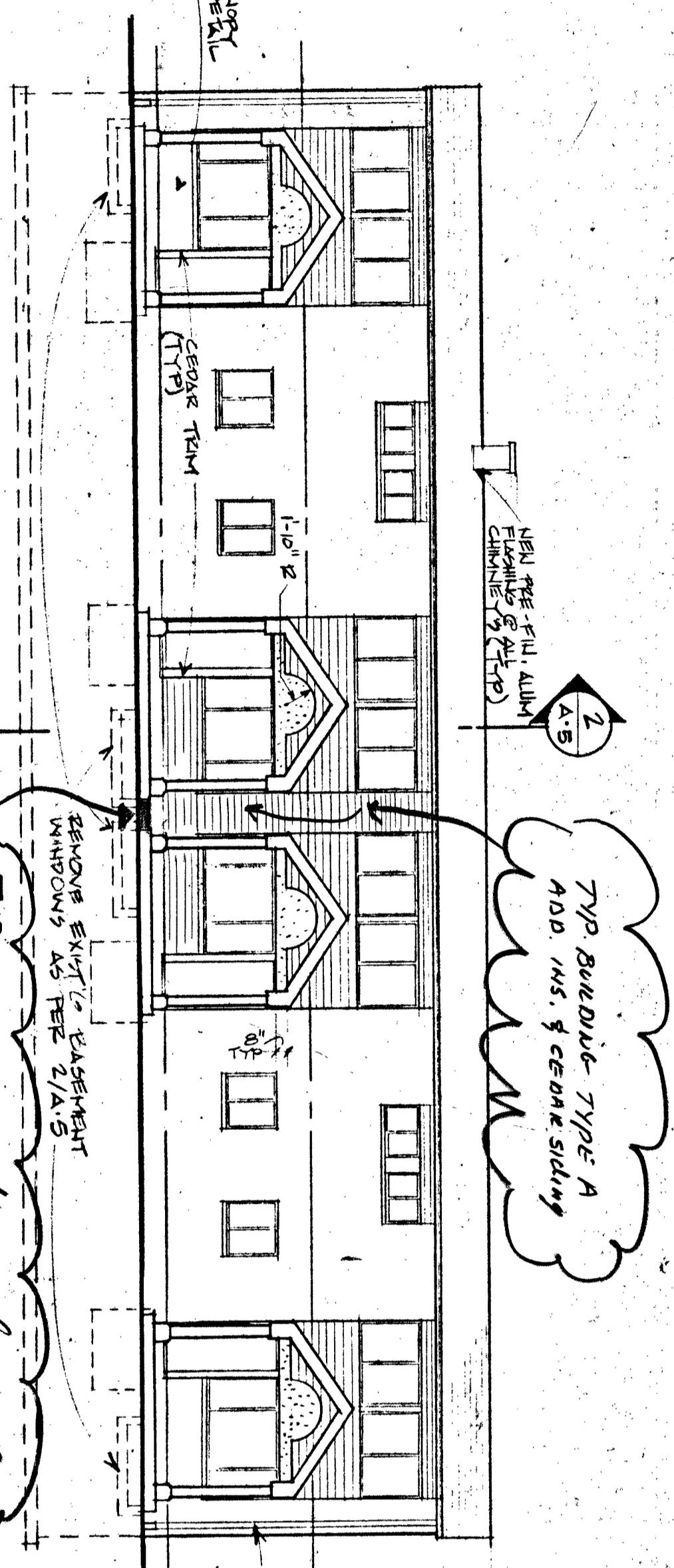
6 LEFT ELEVATION  
BLDG TYPE A



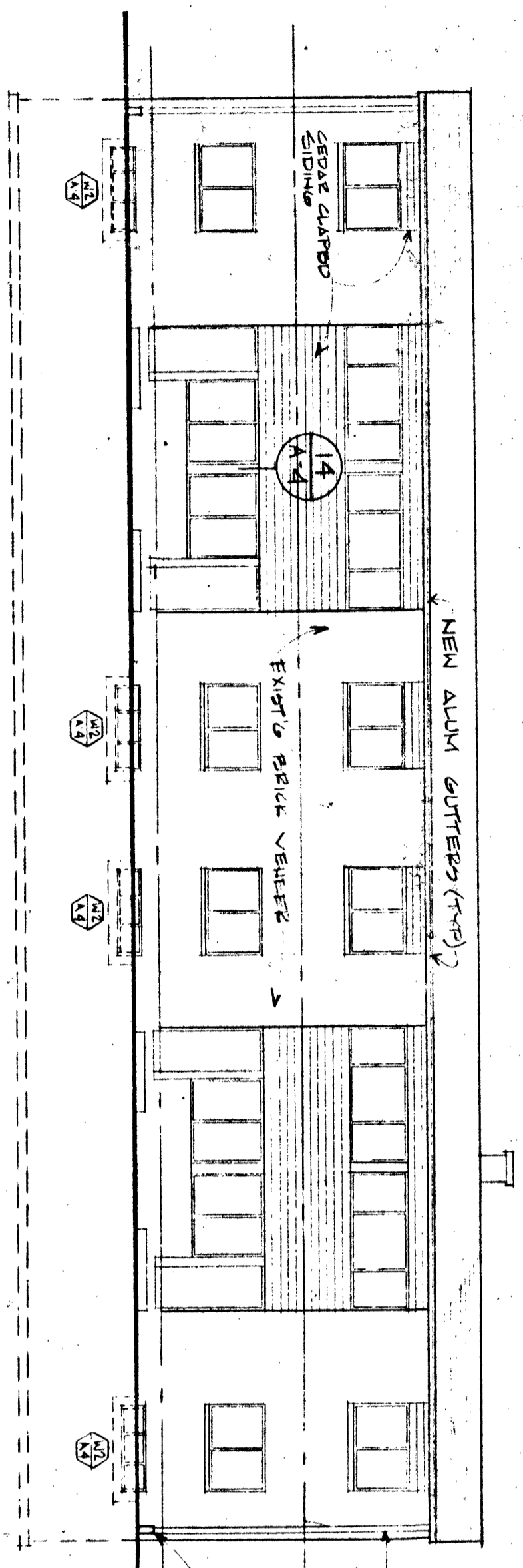
8 RIGHT ELEVATION  
BLDG TYPE A



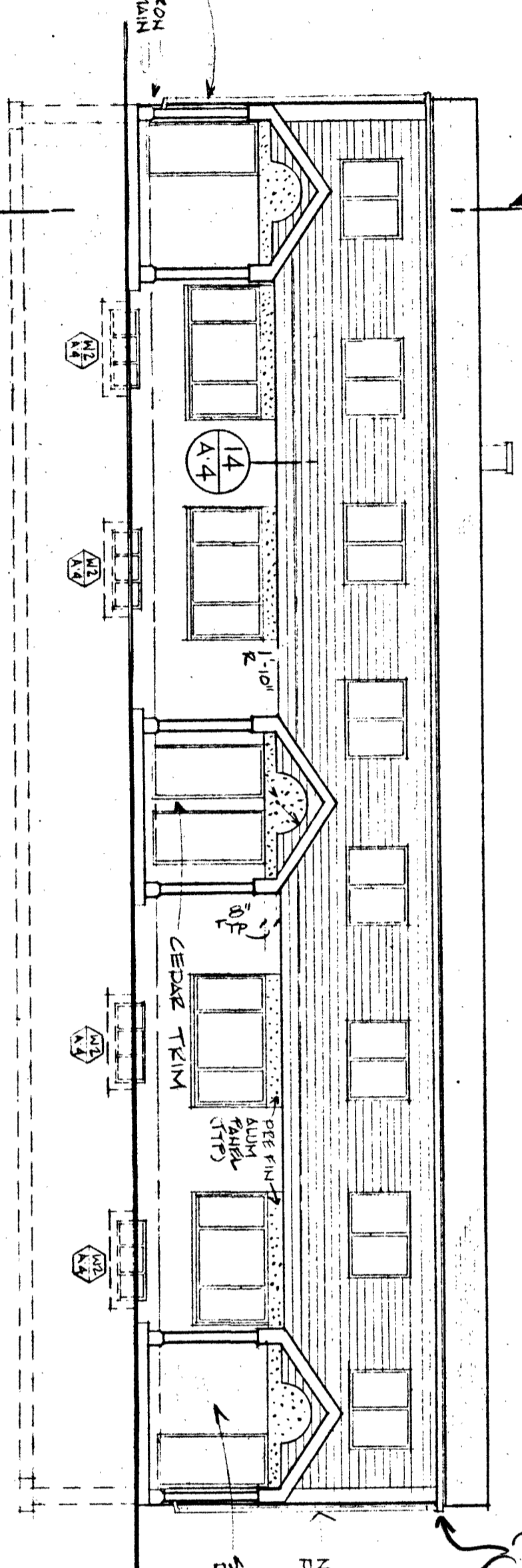
12 RIGHT ELEVATION  
BLDG TYPE B



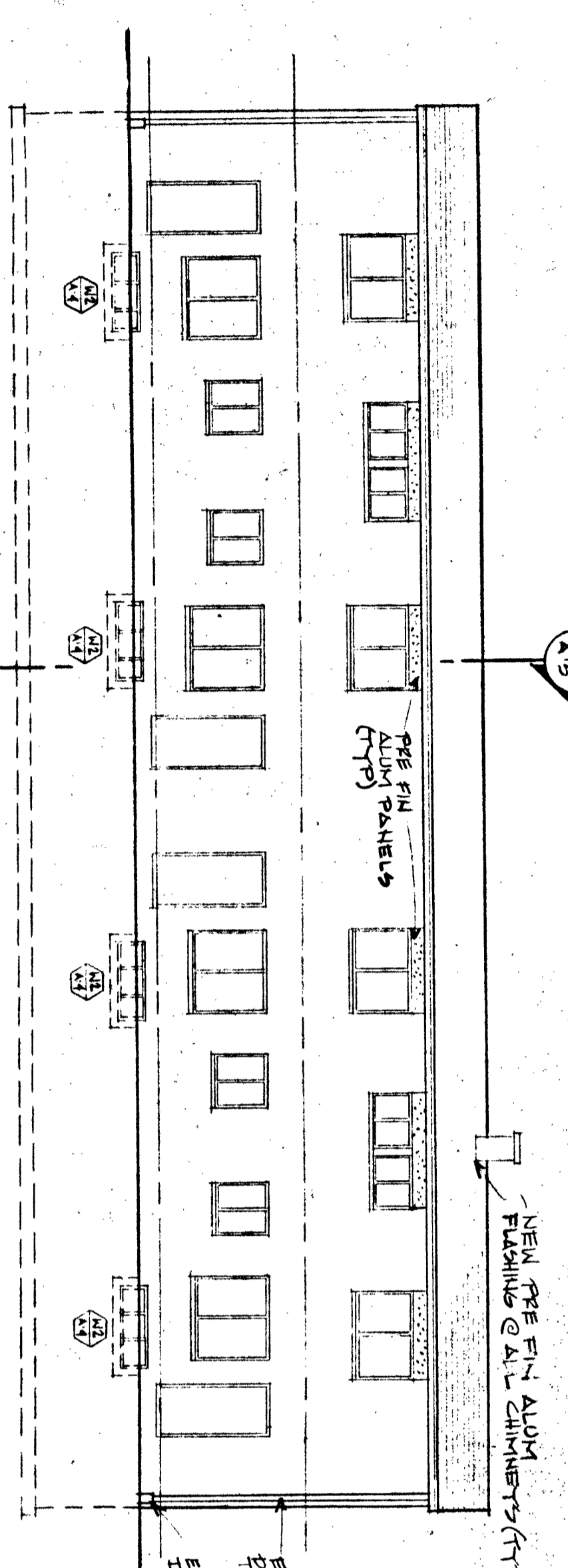
5 FRONT ELEVATION  
BLDG TYPE A



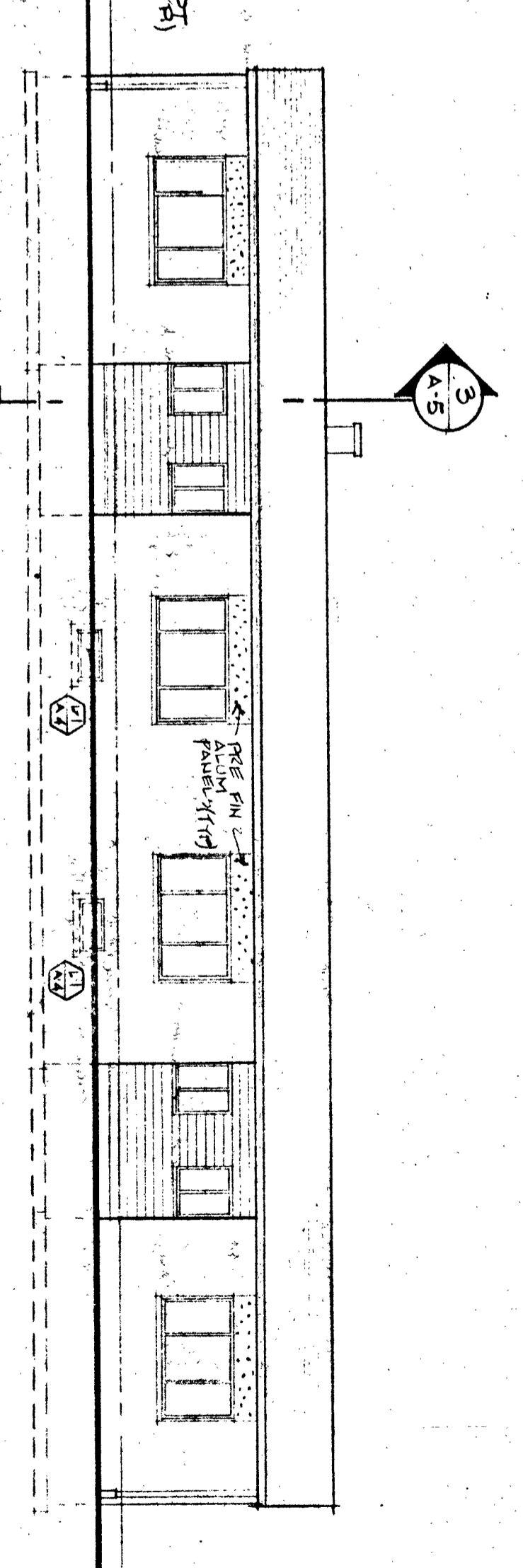
7 REAR ELEVATION  
BLDG TYPE A



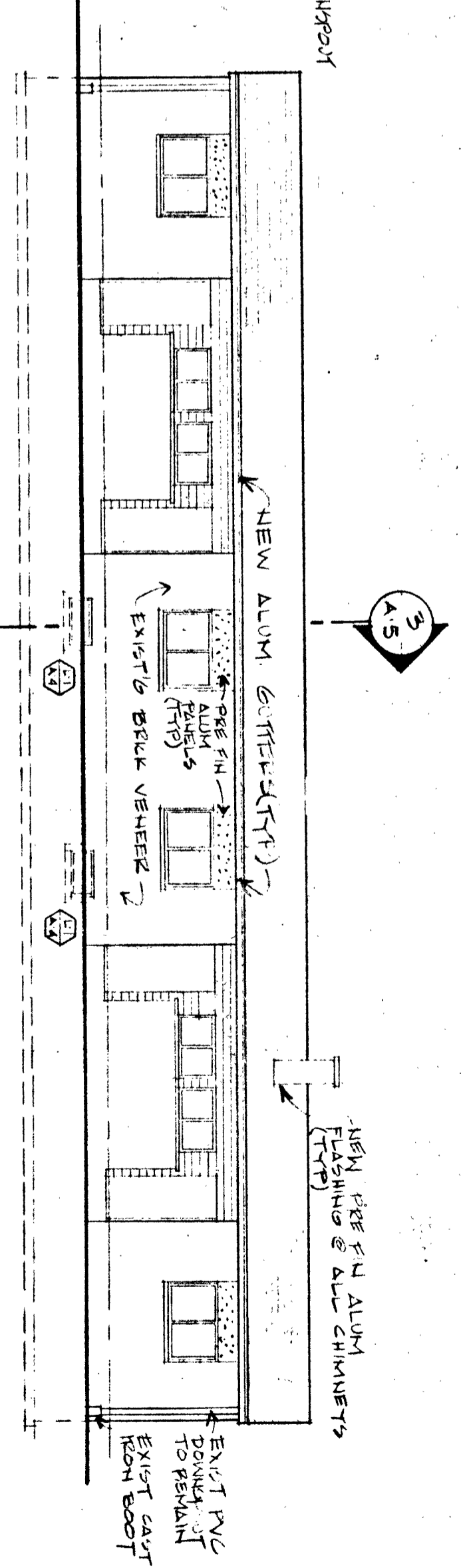
9 FRONT ELEVATION  
BLDG TYPE B



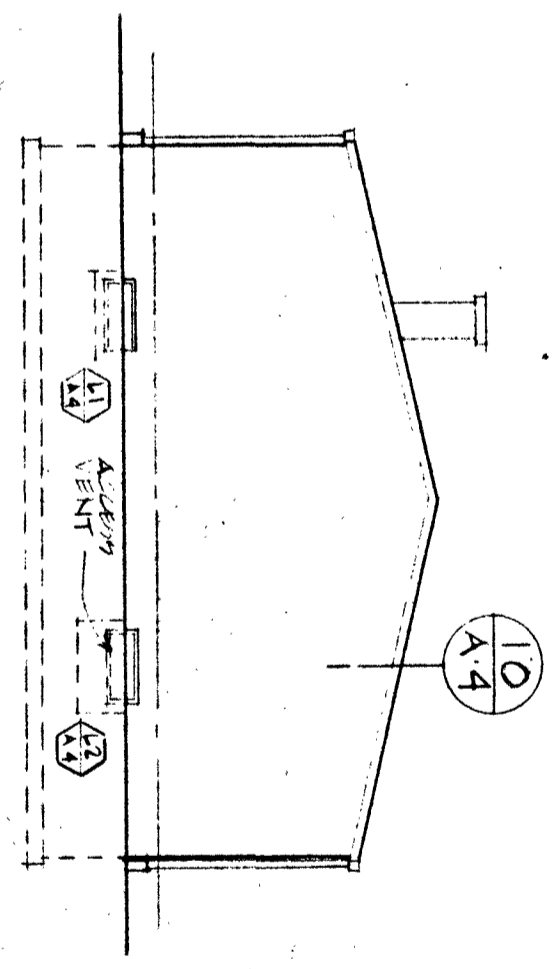
11 REAR ELEVATION  
BLDG TYPE B



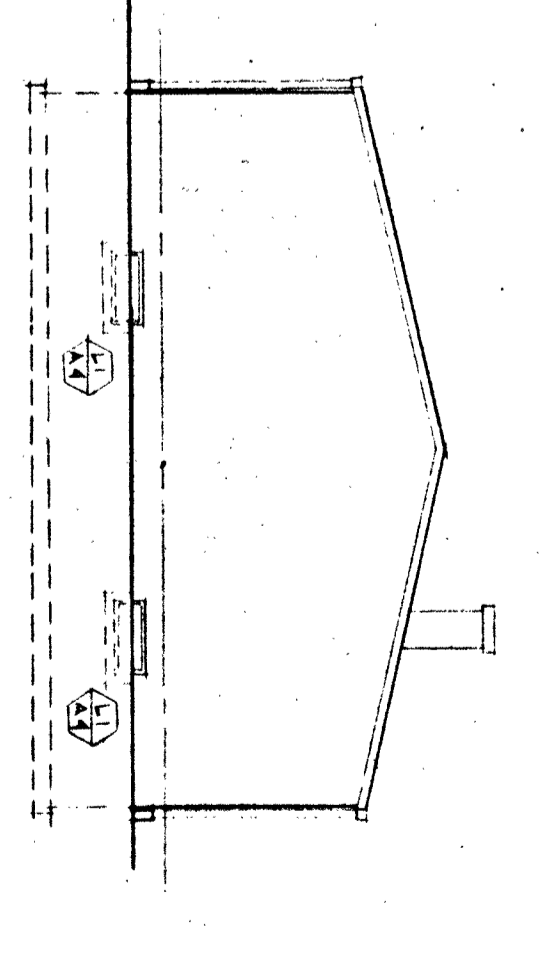
1 FRONT ELEVATION  
BLDG TYPE D



2 REAR ELEVATION  
BLDG TYPE D



4 LEFT ELEVATION  
BLDG TYPE D

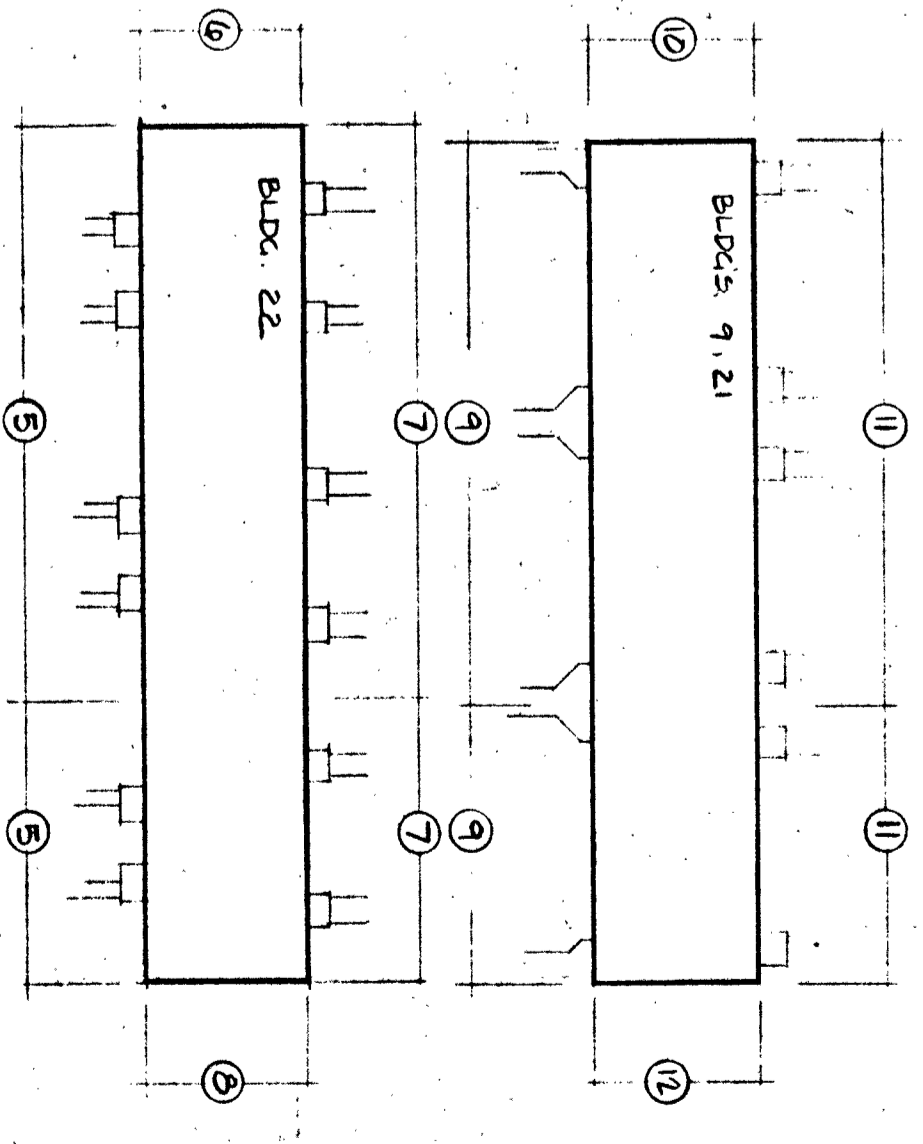


3 RIGHT ELEVATION  
BLDG TYPE D

Getten Sys. changed  
& STRAP HANGEN SYSTEM  
ALL BUILDINGS

GENERAL NOTES  
1) ALL EXIST. ALUMINUM CASSETS TO BE REMOVED. CONTRACTOR TO PAINT & CLEAN EXIST. & NEW CONSTRUCTION AT REMOVAL

Record Document  
A. Michael J. Spallino  
date 8/19/80 - SEE AREA RE



ELEVATION KEY PLANS  
FOR 6 DWELLING UNIT BLDG'S

Architects:  
Stieglitz Stieglitz Tries PC  
45 Allen Street  
Buffalo, NY 716-881-6338

Mech./Elec. Consultant:  
Manikiala Associates PC  
1807 Elmwood Ave.  
Buffalo, NY 716-876-0243

Structural Consultant:  
T. Paul Jensen PC  
232 Delaware Ave.  
Buffalo, NY 716-854-3508

HARRY S. JORDAN GARDENS - NY 11-2  
COMPREHENSIVE IMPROVEMENT ASSISTANCE PROGRAM

NIAGARA FALLS HOUSING AUTHORITY  
ANTHONY SPALLINO TOWERS

NIAGARA FALLS, NEW YORK 14301

REVISIONS  
RECORD DOCUMENTS  
SVB SEIT

date	scale	set	job no.	dwg no.
10-24-88	1/8" = 1'-0"	87/123		

job title  
BUILDING ELEVATIONS  
TYPES A, B & D  
EXTERIOR REHABILITATION