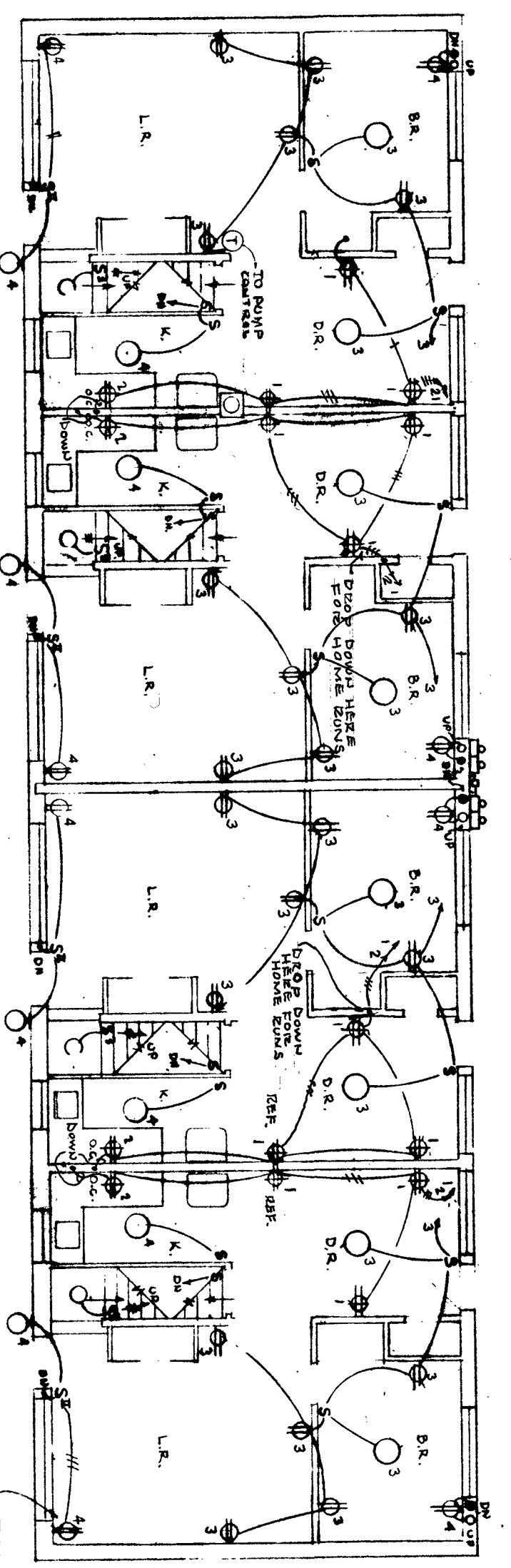
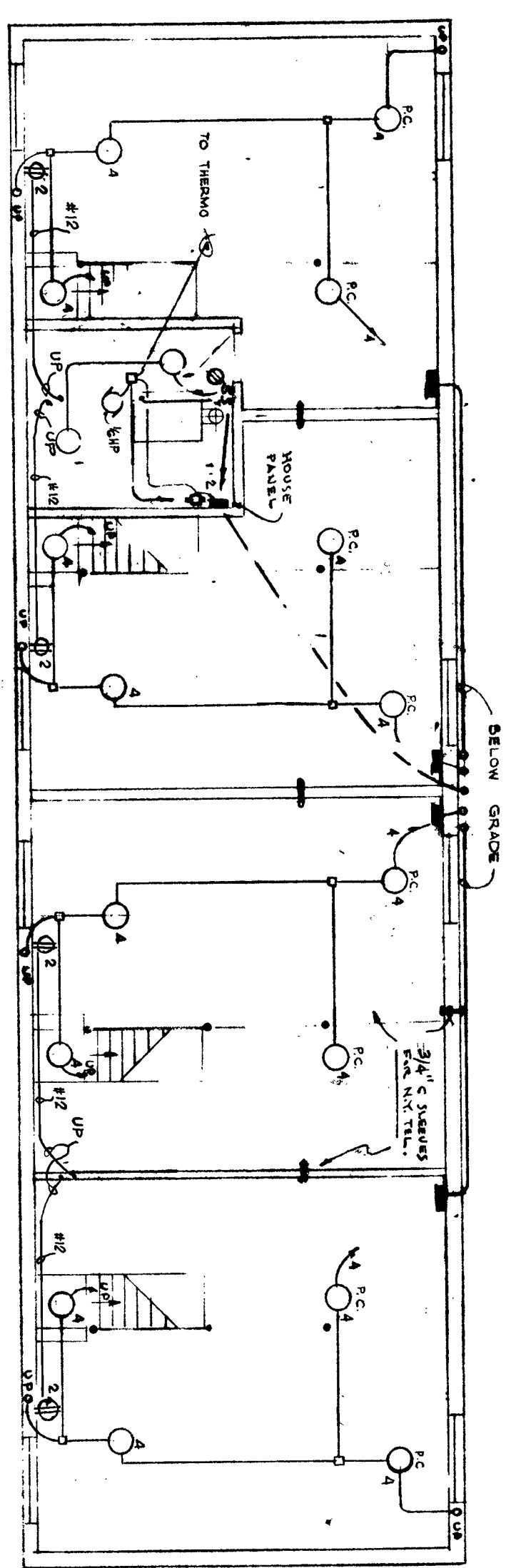


SECOND FLOOR PLAN

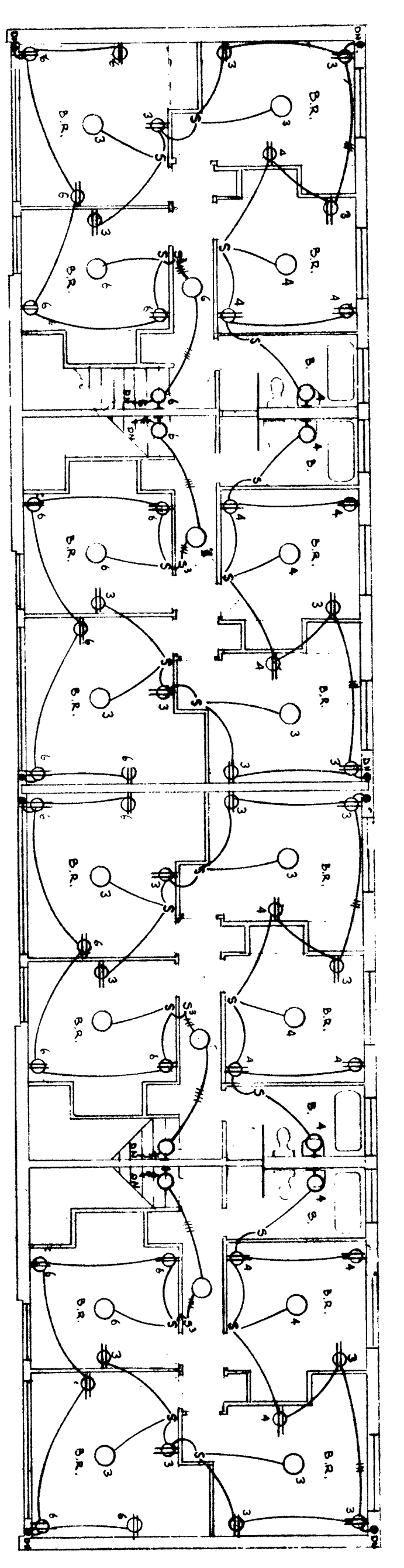


FIRST FLOOR PLAN

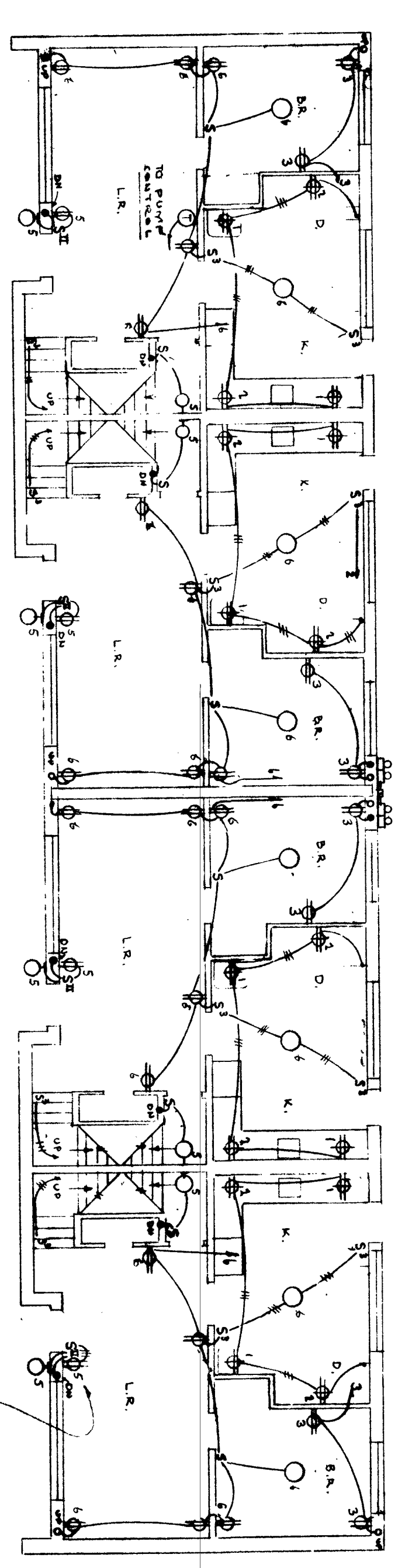


BASEMENT PLAN
4 BEDROOM UNIT

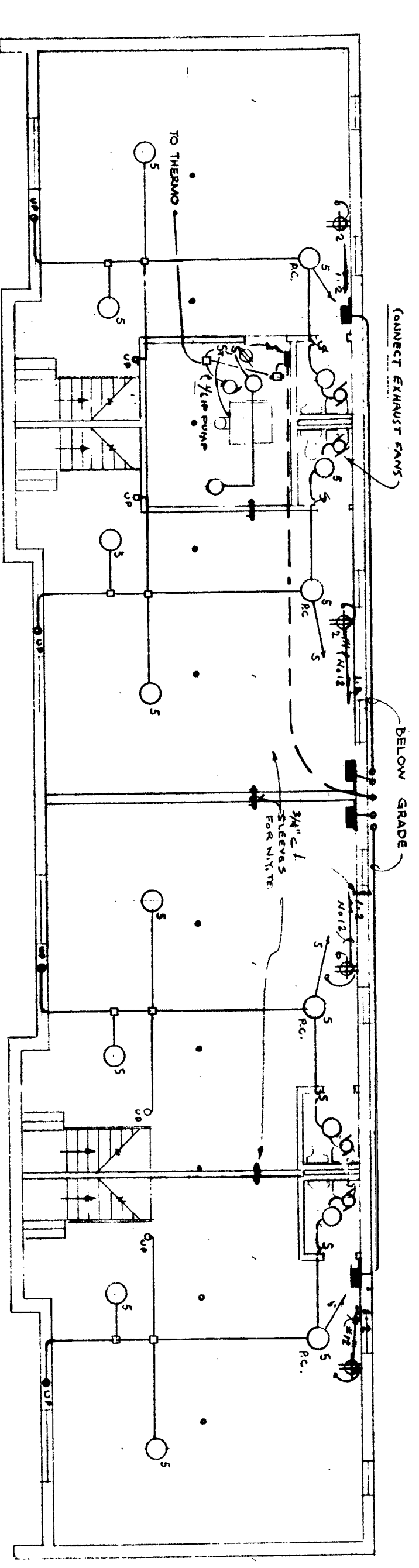
SCALE 1/8" = 1'-0"



SECOND FLOOR PLAN

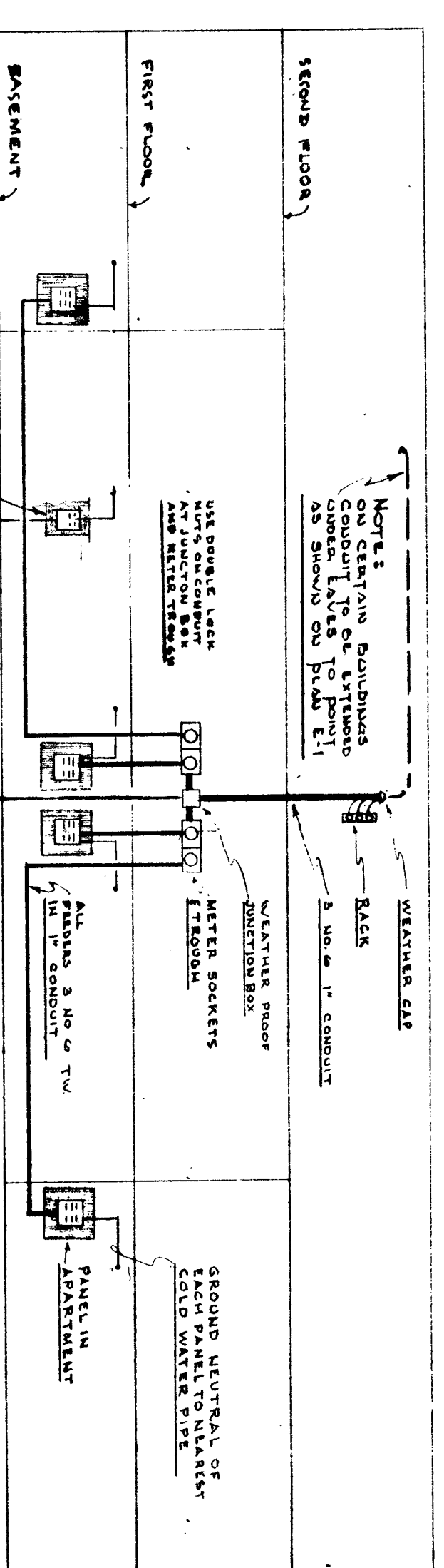


FIRST FLOOR PLAN



BASEMENT PLAN
5 BEDROOM UNIT

SCALE 1/8" = 1'-0"



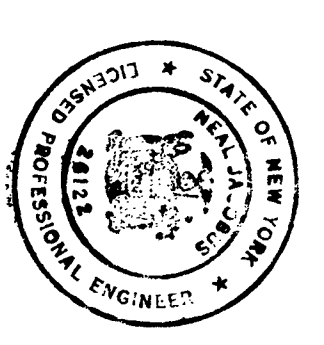
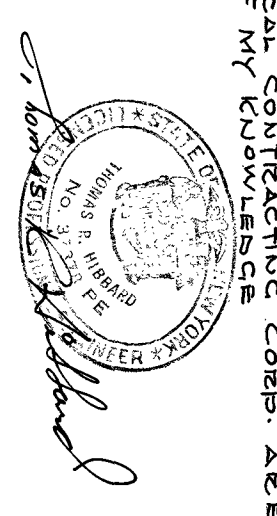
TYPICAL RISER DIAGRAM

NOT TO SCALE

- NOTES:
- 1 PAINT EXPOSED COUNT OF COACH TO MATCH SURFACE UPON WHICH IT IS INSTALLED
 - 2 FOR 1/2 UNIT SURROUNDERS 3 WATER SECONDS

LOCATION	FIXTURE	SCHEDULE
KITCHEN DINING	ENCLOSED GLOBE 150W	
BATH	WALL MOUNTED WITH GLASS SHIELD AND OUTLET	
BEDROOM	LUMINOUS INDIRECT APPROX 9 1/2" DIA.	
STAIRWAY HALL	DECORATIVE LAMP HOLDER WITH BARE BULB	
STAIRWAY	WALL MOUNTED WITH GLASS SHIELD	
CLOSET'S STORAGE	PORCELAIN LAMP HOLDER WITH PULL CHAIN	
OUTSIDE LIGHTS	WALL MOUNTED WEATHER PROOF GLASS SHIELD	
BASEMENT	PORCELAIN LAMP HOLDER WITH PULL CHAIN	
RAWL SPACE	PORCELAIN LAMP HOLDER KEYLESS	
OFFICE AREA	ADMINISTRATION BUILDING	
FASHION OFFICE	FLUORESCENT 2-40W LAMPS	
STORAGE/INVENT.	PORCELAIN LAMP HOLDER KEYLESS	
WORK AREA	DECORATIVE LAMP HOLDER WITH BARE BULB	
ELECT. DIST.	PORCELAIN LAMP HOLDER KEYLESS	
WATER ROOM	LUMINOUS INDIRECT	
TOILET	LUMINOUS INDIRECT	

I HEREBY CERTIFY THAT THESE PLANS FOR ALBERT AMATO ELECTRICAL CONTRACTING CORP. ARE CORRECT TO THE BEST OF MY KNOWLEDGE.



UNITS	PANEL	SCHEDULE
ADM. BLDG	60A 2P	MAIN BRANCHES BOX MOUNTING SURFACE
1-B.R.	60A 2P	2-20A FLUSH
3-4-5-B.R.	60A 2P	2-20A SURFACE
HOUSE PANELS	60A 2P	3-15A SURFACE

NOTE: USE NO. 12 WIRE FOR CONVENIENCE OUTLETS IN KITCHENS, DINING AREAS & BATHS

REGISTERED ARCHITECTS
 REGISTERED ELECTRICAL ENGINEERS
 REGISTERED MECHANICAL ENGINEERS
 REGISTERED CIVIL ENGINEERS
 REGISTERED PROFESSIONAL ENGINEERS

100 UNITS LOW RENT HOUSING
 R.H.A. N.Y. 11-2 FOR THE
 NIAGARA FALLS HOUSING AUTHORITY
 NIAGARA FALLS, N.Y.

SHACKLETON AND FITZGERALD, A.I.A.
 ARCHITECTS
 1515 LOCKPORT STREET
 NIAGARA FALLS, N.Y.

SCALE 1/8" = 1'-0"

JOB NO. 59-147
 DATE 5-16-60

DWG NO. E-302

THE CONTRACTOR SHALL VERIFY ALL DIMENSIONS AT SITE BEFORE STARTING WORK