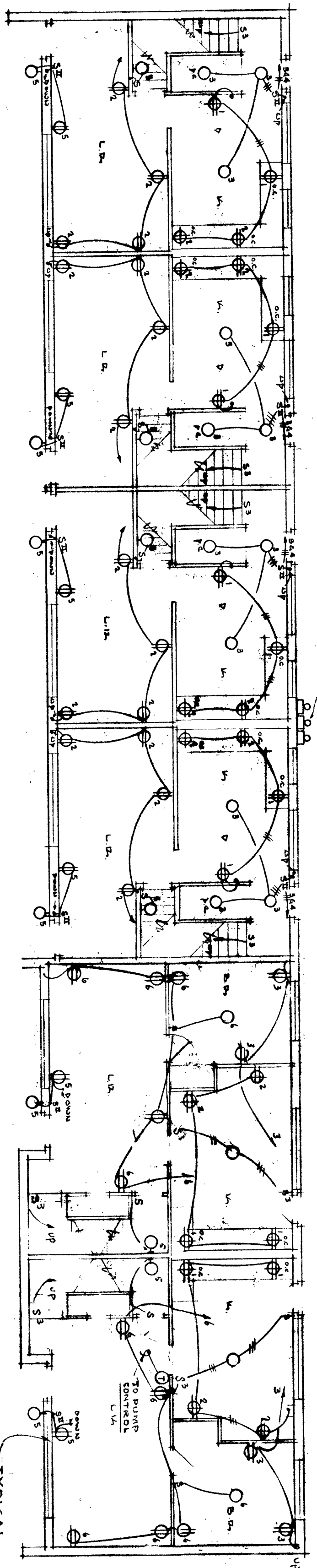
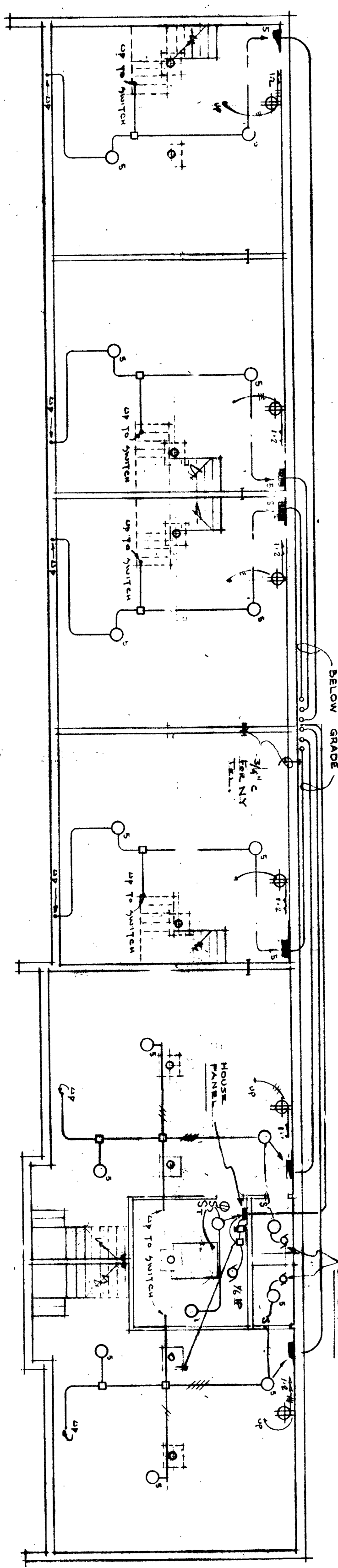


SECOND FLOOR PLAN



FIRST FLOOR PLAN



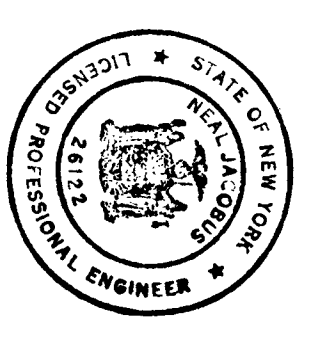
BASEMENT PLAN

3 BEDROOMS - 4 UNITS & 5 BEDROOMS - 2 UNITS - 6 UNIT COMBINATIONS

SCALE 1/8" = 1'-0"

I HEREBY CERTIFY THAT THESE PLANS FOR ELECTRICAL WORK WERE PREPARED BY ME OR UNDER MY CLOSE PERSONAL SUPERVISION AND THAT I AM A LICENSED PROFESSIONAL ENGINEER IN THE STATE OF NEW YORK.

Handwritten signature
MAY 31 1960



SCALE	1/8" NOTED
JOB NO.	50-147
DATE	5-16-60
DWG. NO.	E-305
100 UNITS LOW RENT HOUSING R.H.A. N.Y. II-2 FOR THE NIAGARA FALLS HOUSING AUTHORITY NIAGARA FALLS, NEW YORK SHACKLETON AND FITZGERALD, A.I.A. ARCHITECTS 1513 LOCKPORT STREET NIAGARA FALLS, N. Y.	
THE CONTRACTOR SHALL VERIFY ALL DIMENSIONS AT SITE BEFORE STARTING WORK	