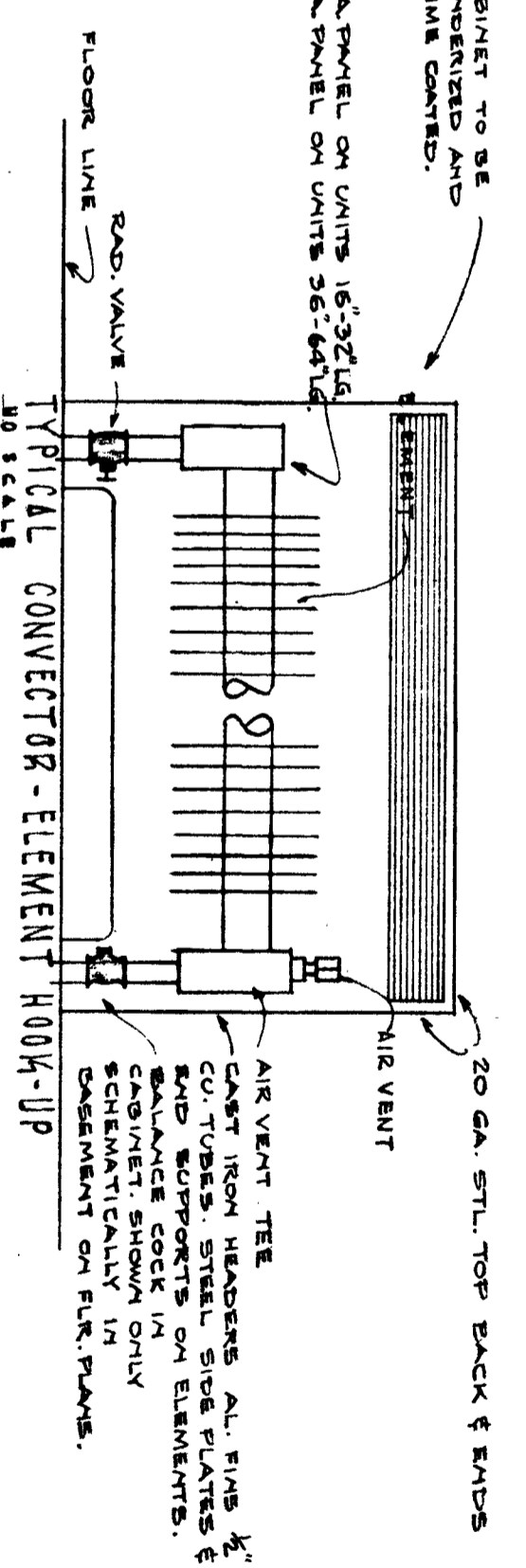
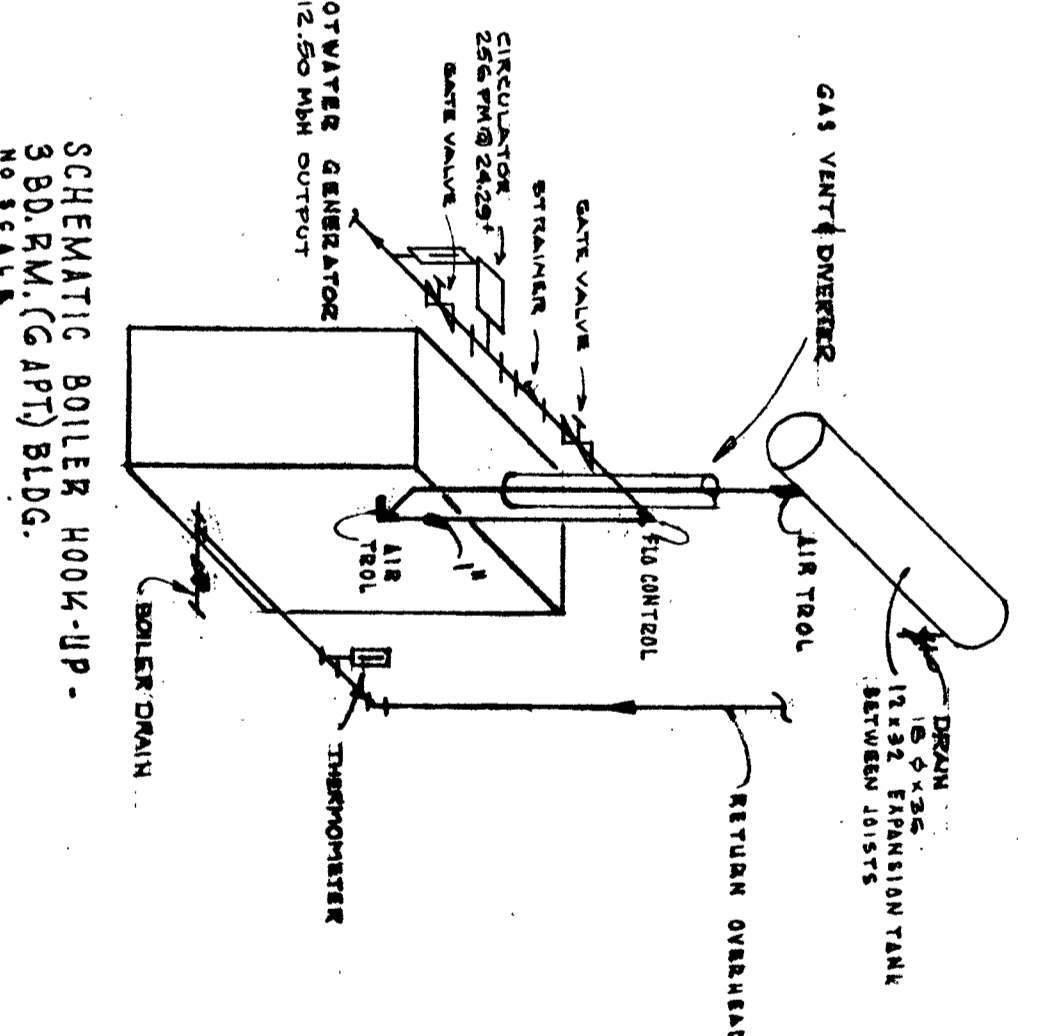
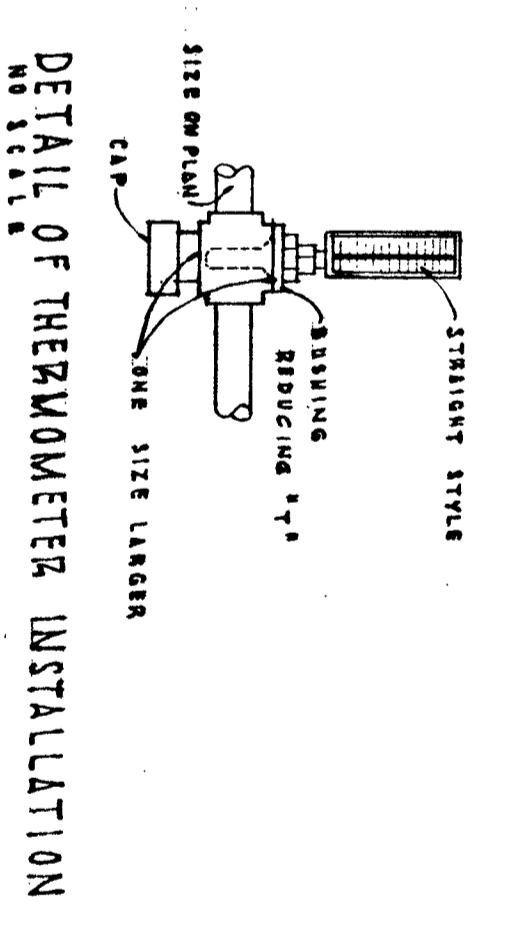


NOTES:
 1. COORDINATE WORK WITH PLUMBING CONTRACTOR & GENERAL CONTRACTOR.
 2. ALL RISERS TO BE PARALLEL WITH BUILDING LINES, EXCEPT AS NOTED.
 3. INSULATE RISERS & SERVICE WALLS AS SHOWN.
 4. ALL TRADE OPEN & RISERS TO UNLESS OTHERWISE NOTED.



	100 UNITS LOWRENT HOUSING P.H.A. N.Y. II-2 FOR THE NIAGARA FALLS HOUSING AUTHORITY 24 FALLS NEW YORK	JOB NO. 50-147	SCALE AS NOTED	
	SHACKLETON AND FITZGERALD, A.I.A. ARCHITECTS 1515 LOCKPORT STREET NIAGARA FALLS, N. Y.	DATE 5-16-50		
	THE CONTRACTOR SHALL VERIFY ALL DIMENSIONS AT SITE BEFORE STARTING WORK	DWG. NO. H-104		