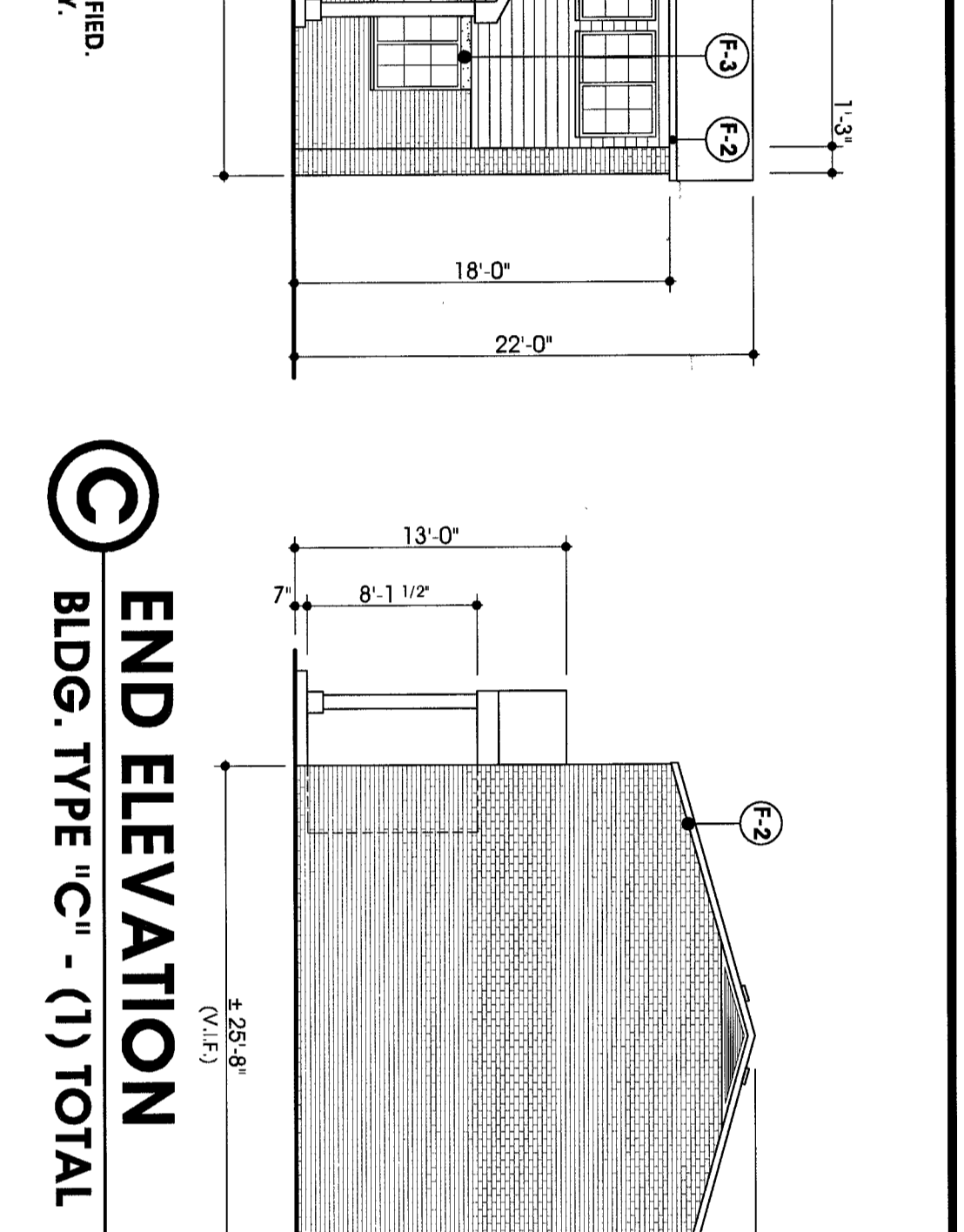
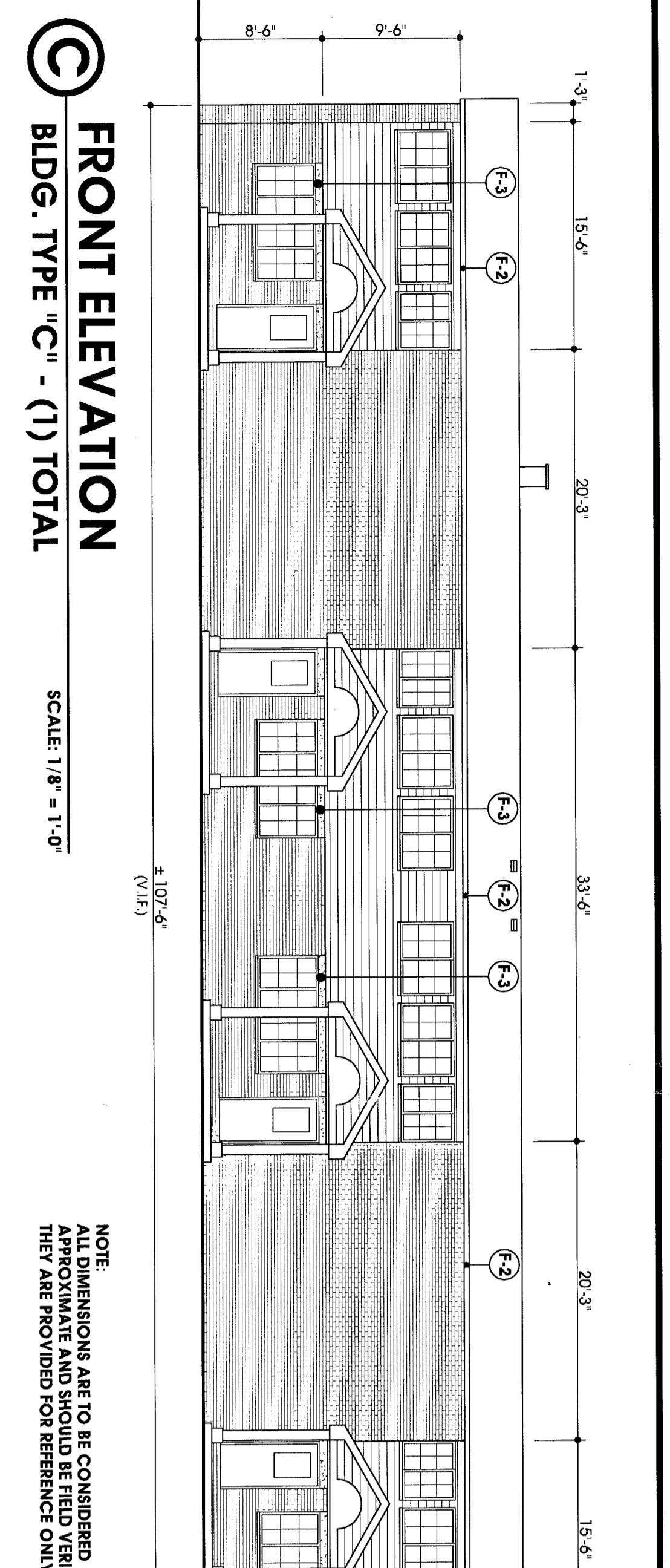
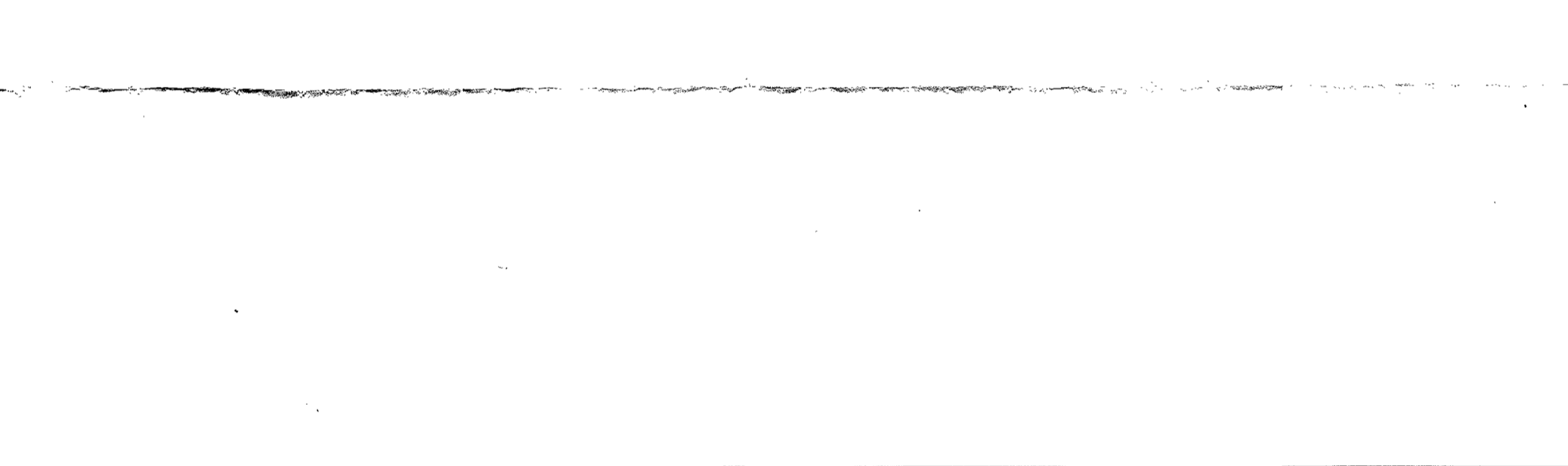


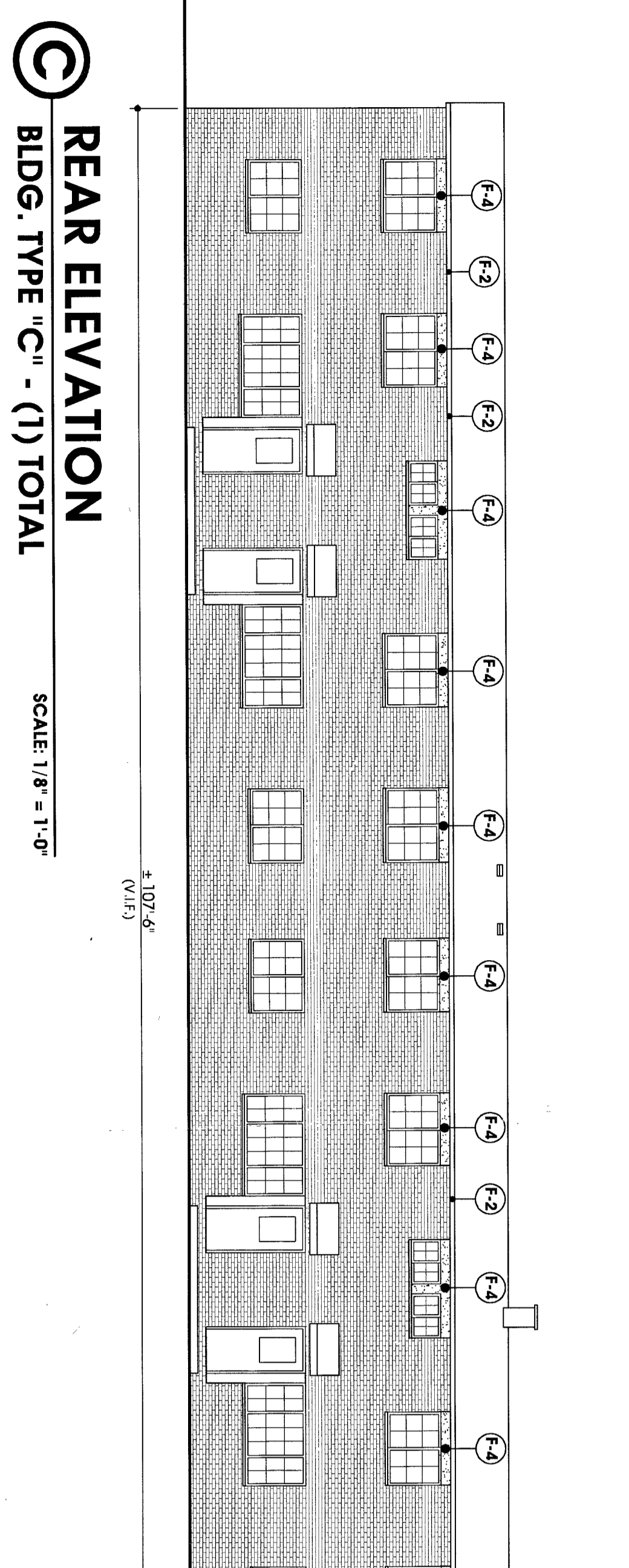
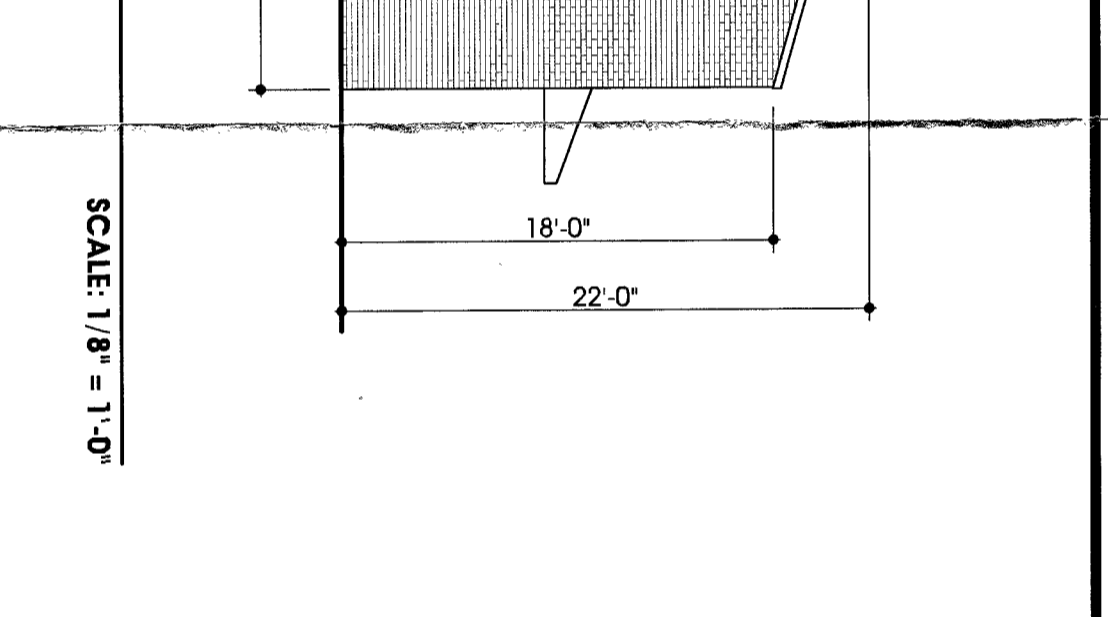
B FRONT ELEVATION
BIDG. TYPE "B" - (9) TOTAL
SCALE 1/8" = 1'-0"

B END ELEVATION
BIDG. TYPE "B" - (9) TOTAL
SCALE 1/8" = 1'-0"

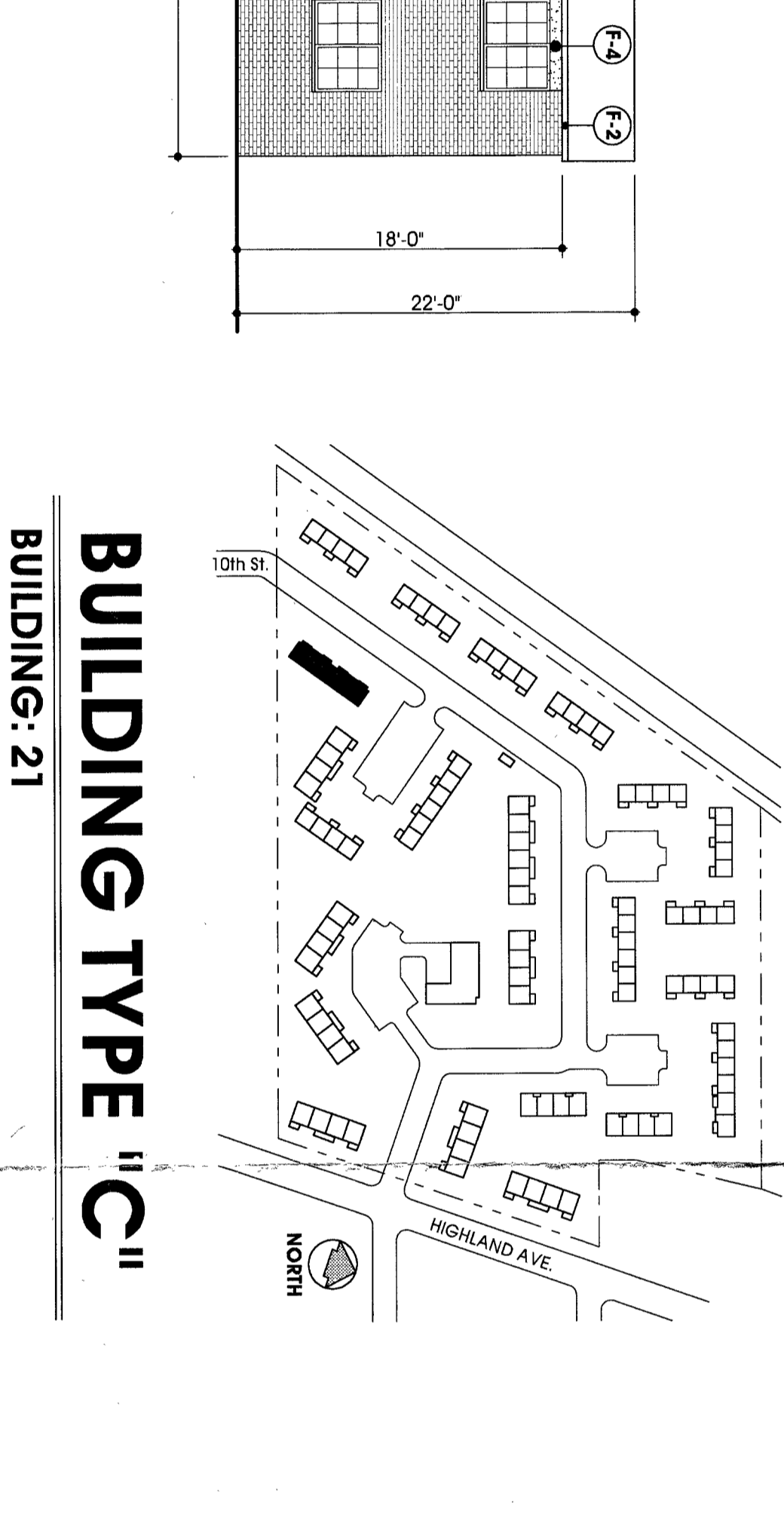


C FRONT ELEVATION
BIDG. TYPE "C" - (1) TOTAL
SCALE 1/8" = 1'-0"

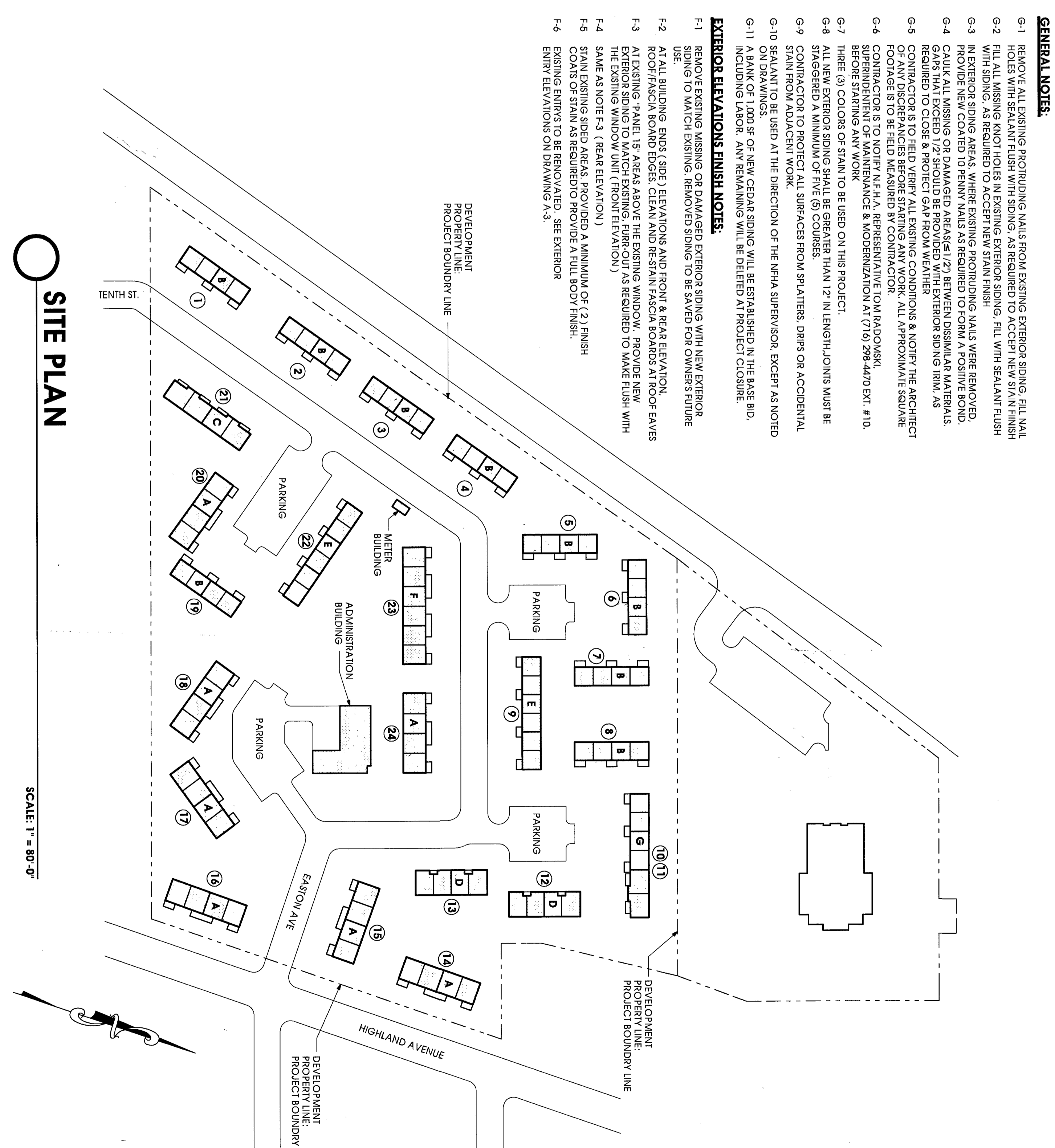
C END ELEVATION
BIDG. TYPE "C" - (1) TOTAL
SCALE 1/8" = 1'-0"



C REAR ELEVATION
BIDG. TYPE "C" - (1) TOTAL
SCALE 1/8" = 1'-0"



BUILDING NUMBER	BUILDING TYPE	F-1	F-2	F-3	F-4	F-5	F-6	REMARKS
1	B	YES	YES	YES	YES	YES	YES	
2	B	YES	YES	YES	YES	YES	YES	
3	B	YES	YES	YES	YES	YES	YES	
4	B	YES	YES	YES	YES	YES	YES	
5	B	YES	YES	YES	YES	YES	YES	
6	B	YES	YES	YES	YES	YES	YES	
7	B	YES	YES	YES	YES	YES	YES	
8	B	YES	YES	YES	YES	YES	YES	
9	E	YES	YES	YES	YES	YES	YES	
10	G	YES	YES	YES	YES	YES	YES	
11	G	YES	YES	YES	YES	YES	YES	
12	D	YES	YES	YES	YES	YES	YES	
13	D	YES	YES	YES	YES	YES	YES	
14	A	YES	YES	YES	YES	YES	YES	
15	A	YES	YES	YES	YES	YES	YES	
16	A	YES	YES	YES	YES	YES	YES	
17	A	YES	YES	YES	YES	YES	YES	
18	A	YES	YES	YES	YES	YES	YES	
19	B	YES	YES	YES	YES	YES	YES	
20	A	YES	YES	YES	YES	YES	YES	
21	C	YES	YES	YES	YES	YES	YES	
22	E	YES	YES	YES	YES	YES	YES	
23	F	YES	YES	YES	YES	YES	YES	
24	A	YES	YES	YES	YES	YES	YES	



ISSUE	DATE	REMARKS
1	04FEB04	ISSUED FOR REVIEW
2	03MAR04	ISSUED FOR REVIEW
3	26MAR04	ISSUED FOR REVIEW
4	31MAR04	ISSUED FOR BID

2003 - 2004 CAPITAL FUND WORK ITEMS
HARRY S. JORDAN GARDENS EXTERIOR RENOVATIONS
 2910 HIGHLAND AVENUE, NIAGARA FALLS, N.Y. 14305
NFHA JOB # 04-1 1-CAP
 NIAGARA FALLS HOUSING AUTHORITY
 744 TENTH STREET, NIAGARA FALLS, N.Y. 14301

thomas r. moscati, c.a.
 448 Delaware
 Buffalo, New York 14202-1515
 telephone: 716.882.2515
 facsimile: 716.882.4740
 http://www.tmarchitect.com

ALL REPORTS, PLANS, SPECIFICATIONS, FIELD DATA & NOTES AND OTHER DOCUMENTS, INCLUDING ALL DOCUMENTS ON ELECTRONIC MEDIA, PREPARED BY T&M ARCHITECT AS INSTRUMENTS OF SERVICE SHALL REMAIN THE PROPERTY OF T&M ARCHITECT. T&M ARCHITECT SHALL RETAIN ALL COMMON LAW, STATUTORY, AND OTHER RIGHTS, INCLUDING THE COPYRIGHT THEREOF.

DATE PLOTTED: 03/11/04